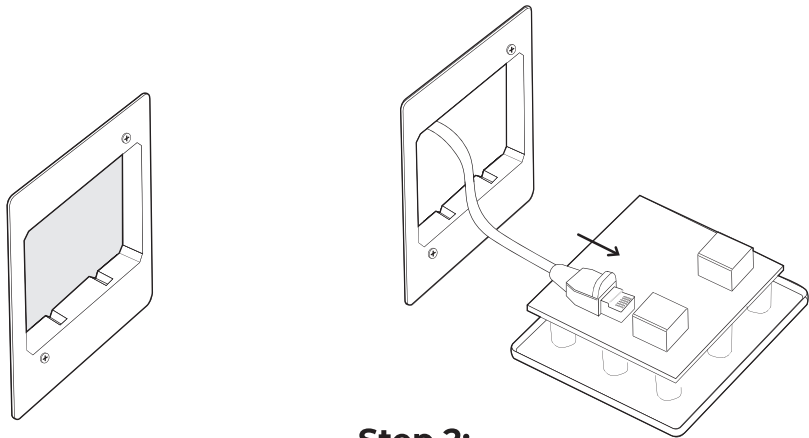


**Step 1:**

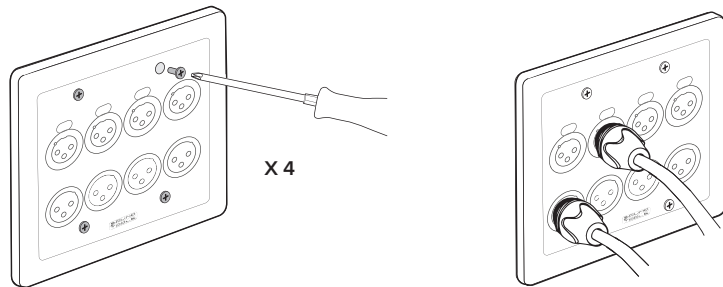
Install American two gang wall box into the wall

**Step 2:**

Connect your Shielded RJ45 cables to the back of the unit (Either RJ45 connection can be used as IN/OUT or parallel)

**Step 3:**

Screw WallCAT8 into gang box

**Step 4:**

Select either input or output across 4 channels